



Handle components – Kvillsfors Inward opening



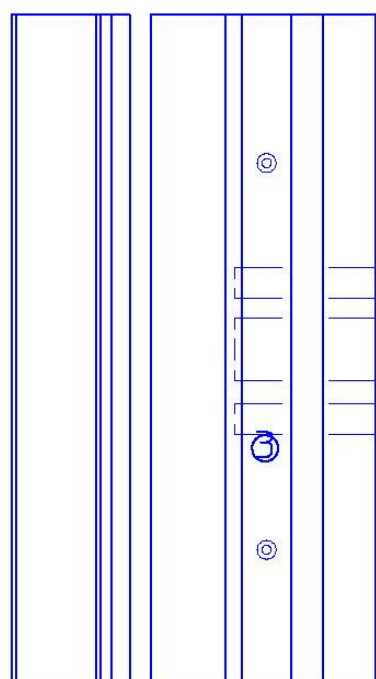
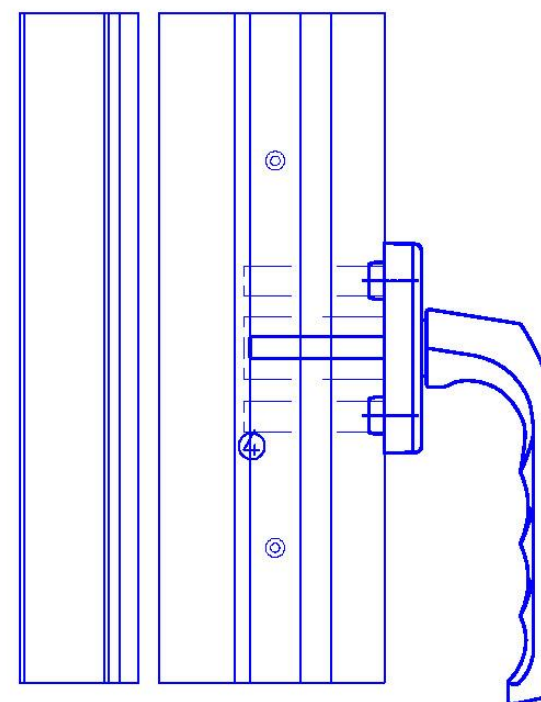
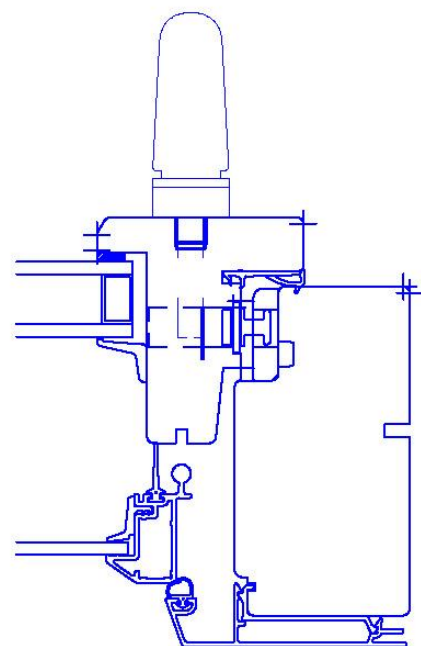
Vriderartikler – Kvillsfors Innadslående



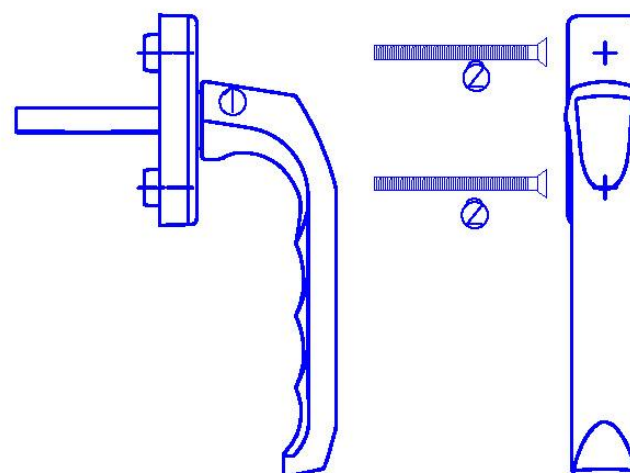
Handtagsartiklar – Kvillsfors Inåtgående

Applicable for product codes:

ES, EN, EC, EU, G1, G2, G6, EK, EF, KS, KN, KC, KU, P1, P2, P6, KK, KF,



- 1. Internal handle 013/U14 F1 spindle length 43mm/7mm(M3 number 0402962)
- 2. Screw 2.st MFX M5x55 zpl (M3 number 070472)
- 3. Standard espagnolette



| Rev. no. | Description | Apply from | By | Checked |
|---|-------------|------------------------------|----------|-------------|
| | | | PJ | PJ |
| NorDan Kvillsfors AB 570 16 Kvillsfors Tel. 0383-76 35 00 Fax. 76 35 35 | | Handtagsalt, Nr, 7 KT991,994 | | |
| Drawn by | Date | Scale | State | Drawing No. |
| PJ | 2019-10-15 | 1:2 | released | 990-45-027 |



Handle components – Kvillsfors Inward opening



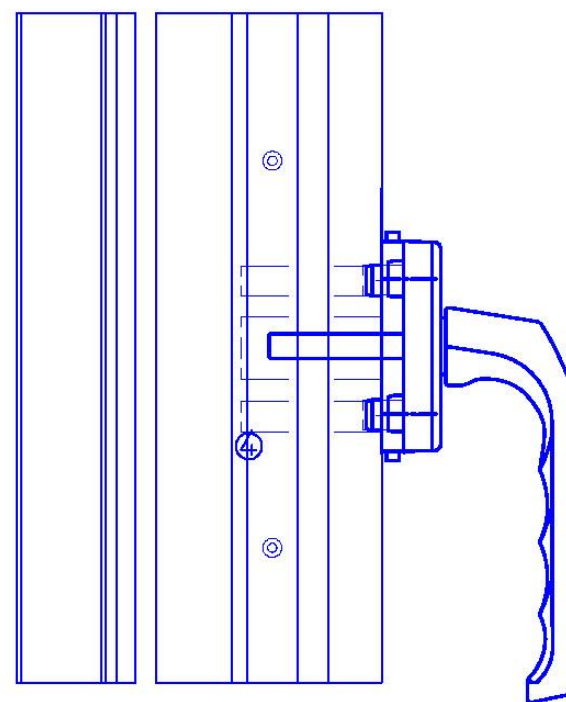
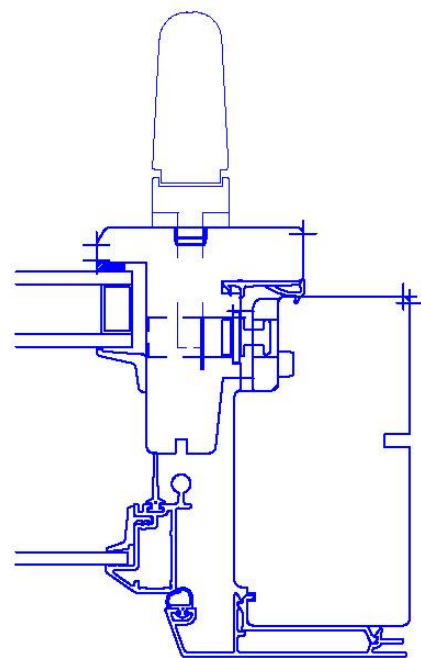
Vriderartikler – Kvillsfors Innadslående



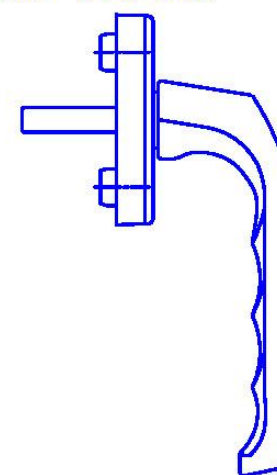
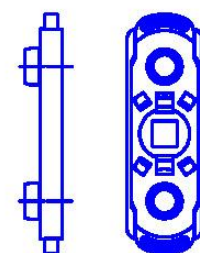
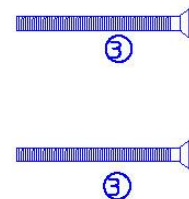
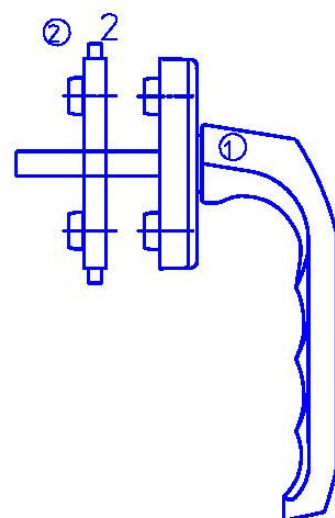
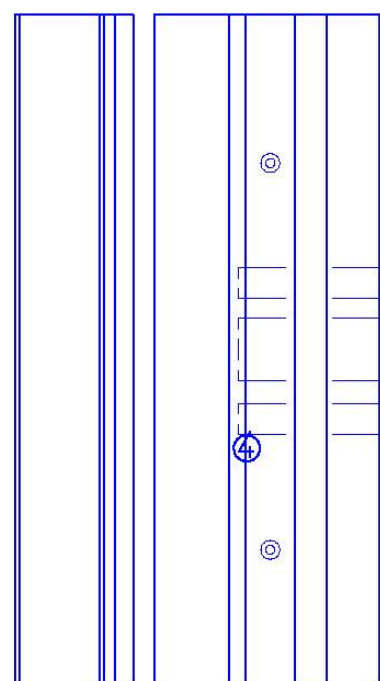
Handtagsartiklar – Kvillsfors Inåtgående

Applicable for product codes:

ES, EN, EC, EU, G1, G2, G6, EK, EF, KS, KN, KC, KU, P1, P2, P6, KK, KF,



- 1. Internal handle 013/U14 F1 spindle length 43mm/7mm(M3 number 0402962)
- 2. Child safety Kisi2 F U14 F1 7mm (M3 number 0402979)
- 3. 2.st screws MFX M5x55 (M3 number 070472)
- 4. Standard espagnolette



| Rev. no. | Description | Apply from | By | Checked |
|---|-------------|-----------------------------|----------|-------------|
| | | | PJ | PJ |
| NorDan Kvillsfors AB 570 16 Kvillsfors Tel. 0383-76 35 00 Fax. 76 35 35 | | Handtagsalt, Nr.8 KT991,994 | | |
| Drawn by | Date | Scale | State | Drawing No. |
| PJ | 2019-10-15 | 1:2 | released | 990-45-028 |



Handle components – Kvillsfors Inward opening



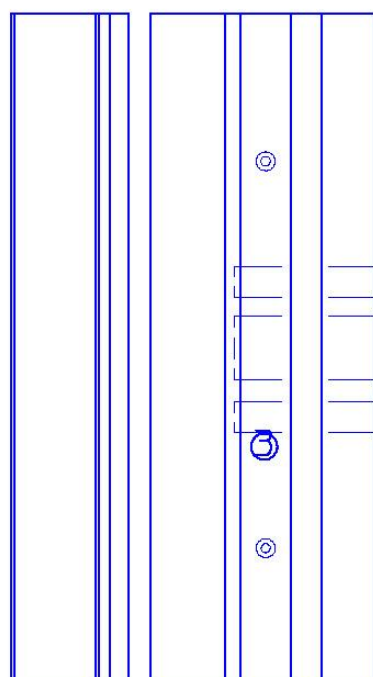
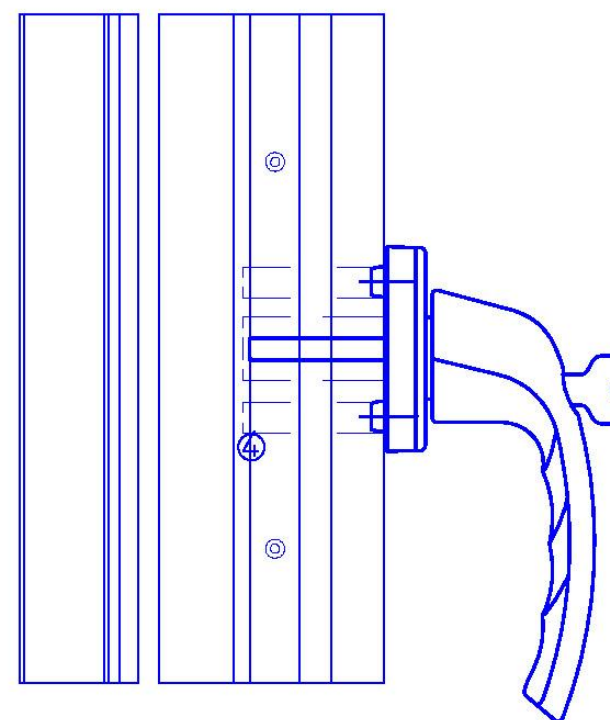
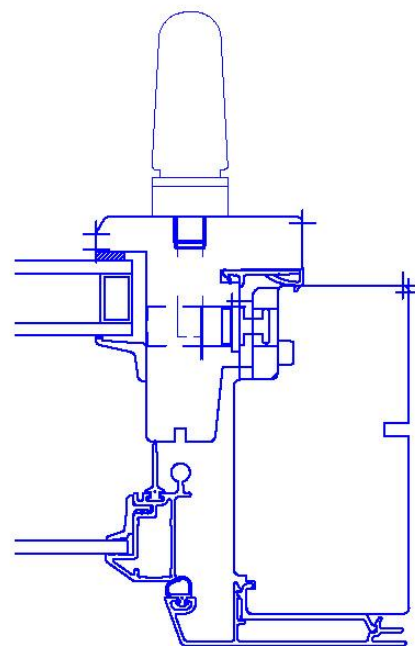
Vriderartikler – Kvillsfors Innadslående



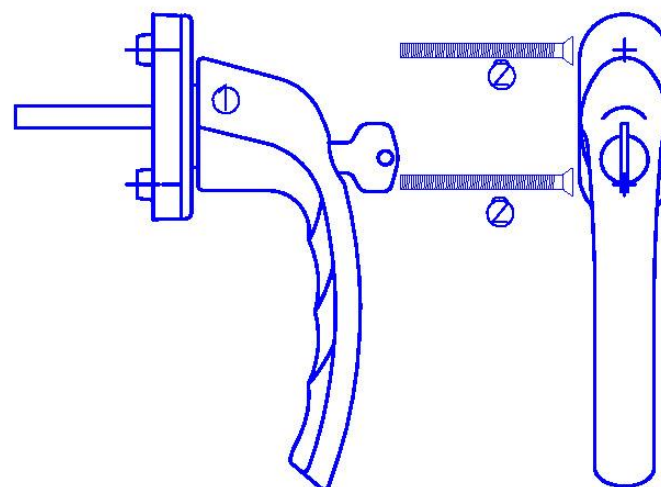
Handtagsartiklar – Kvillsfors Inåtgående

Applicable for product codes:

ES, EN, EC, EU, G1, G2, G6, EK, EF, KS, KN, KC, KU, P1, P2, P6, KK, KF,



- 1. Internal handle 0710S/U26 TBT4 F1 spindle length 43mm/7mm(M3 number 0402967)
- 2. Screw 2.st MFX M5x55 zpl (M3 number 070472)
- 3. Standard espagnolette



| Rev. no. | Description | Apply from | By | Checked |
|---|-------------|------------------------------|----------|-------------|
| | | | PJ | PJ |
| NorDan Kvillsfors AB 570 16 Kvillsfors Tel. 0383-76 35 00 Fax. 76 35 35 | | Handtagsalt, Nr. 9 KT991,994 | | |
| Drawn by | Date | Scale | State | Drawing No. |
| PJ | 2019-10-15 | 1:2 | released | 990-45-029 |



Handle components – Kvillsfors Inward opening



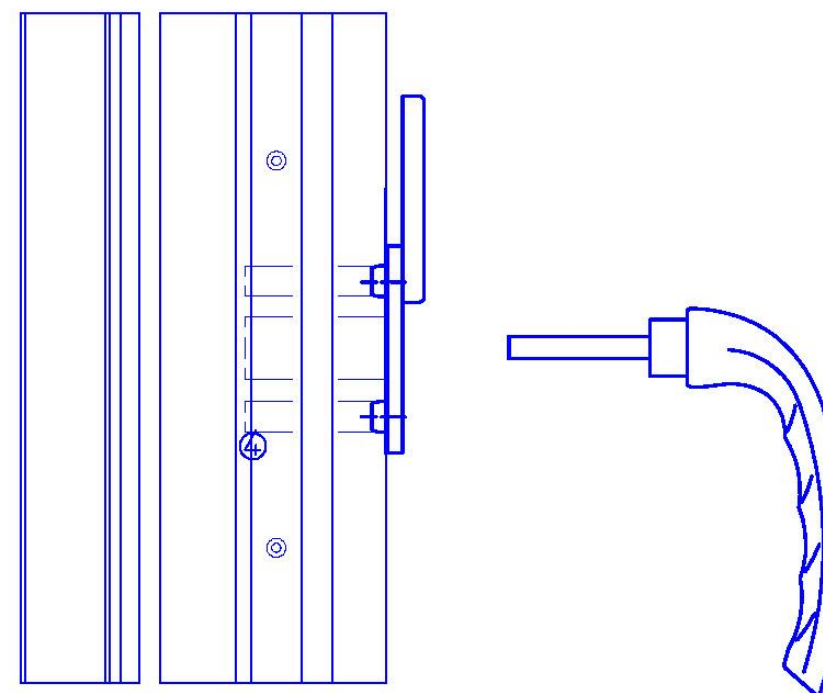
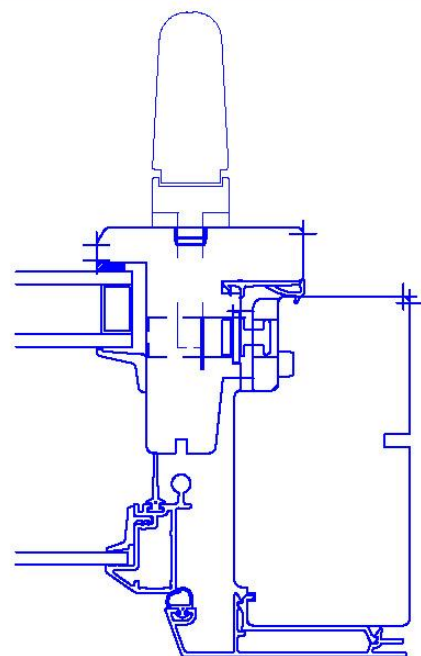
Vriderartikler – Kvillsfors Innadslående



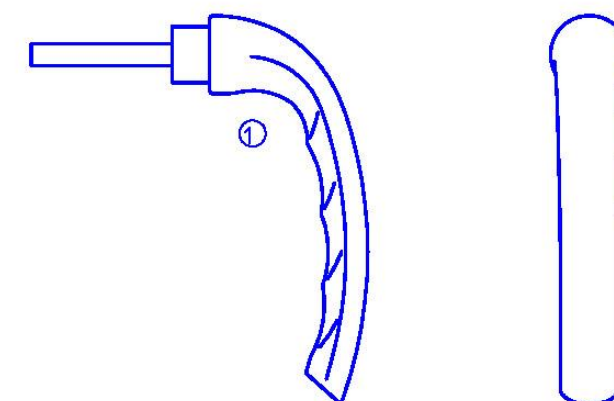
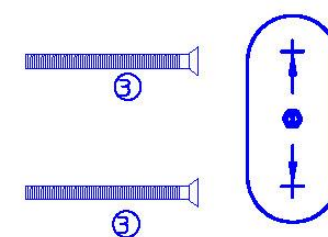
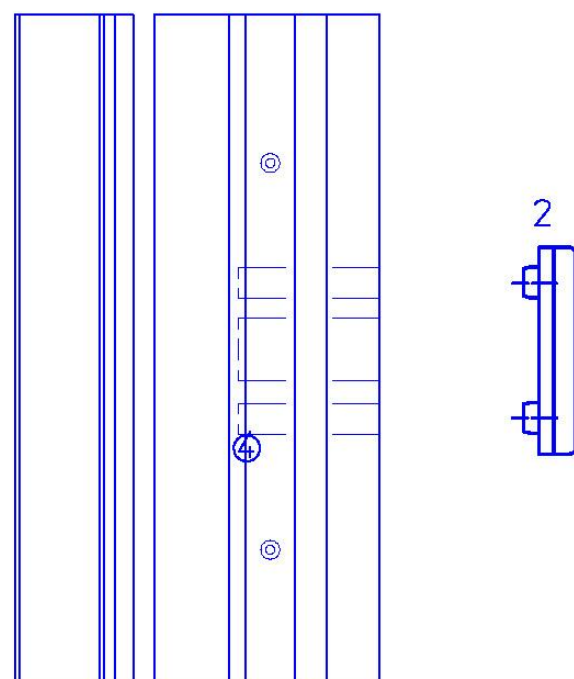
Handtagsartiklar – Kvillsfors Inåtgående

Applicable for product codes:

ES, EN, EC, EU, G1, G2, G6, EK, EF, KS, KN, KC, KU, P1, P2, P6, KK, KF,



- 1. Internal handle H8176323 F1 spindle length 45mm/7mm(M3 number 0402972)
- 2. Child safety Spacer plate U26 F1 7mm (M3 number 0402670)
- 3. 2.st screws MFX M5x55 (M3 number 070472)
- 4. Standard espagnolette



| | | | | |
|---|---|------------------------------|-----------|-------------|
| A | Article number changed on child safety plate | 2020-06-04 | PJ | PJ |
| Rev. no. | Description | Apply from | By | Checked |
| NorDan Kvillsfors AB | | Handtagsalt, Nr.10 KT991,994 | | |
| 570 16 Kvillsfors Tel. 0383-76 35 00 Fax. 76 35 35 | | Bordan.se | | |
| Drawn by | Date | Scale | State | Drawing No. |
| PJ | 2019-10-15 | 1:2 | released | 990-45-030 |



Handle components – Kvillsfors Inward opening



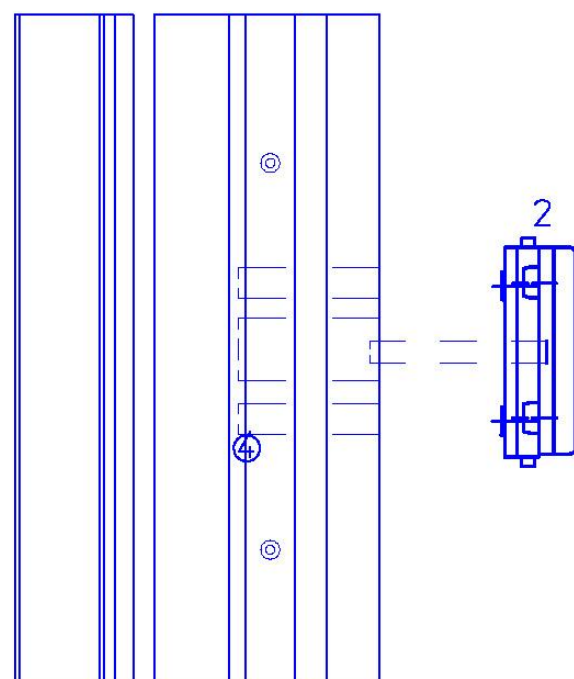
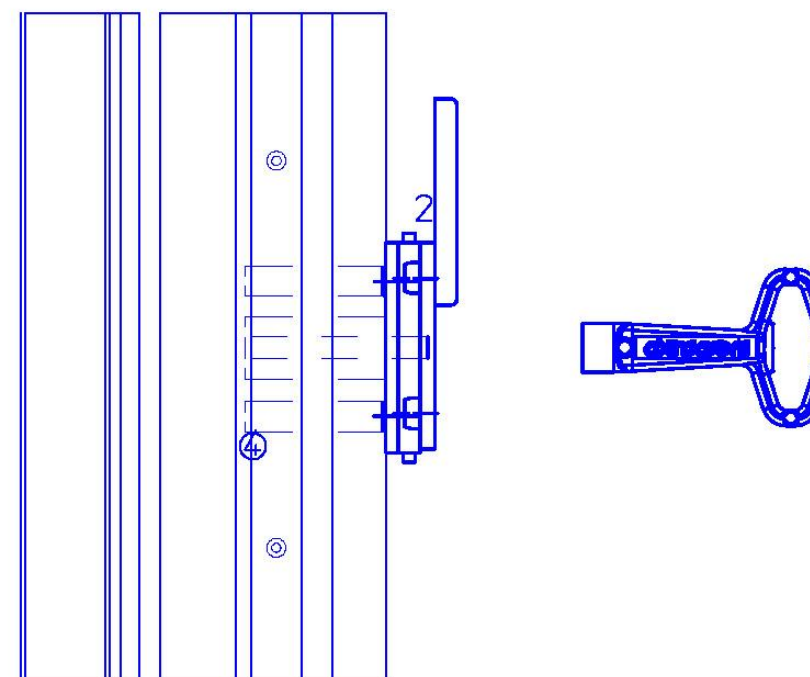
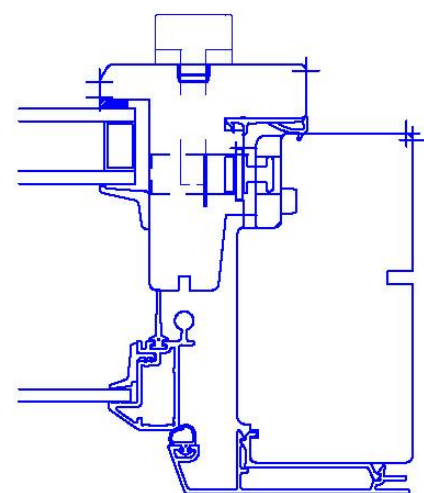
Vriderartikler – Kvillsfors Innadslående



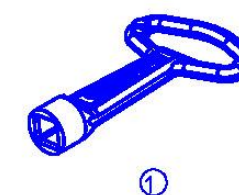
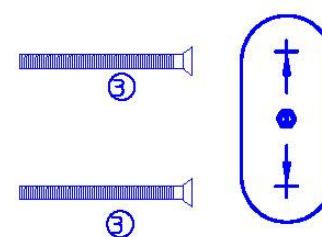
Handtagsartiklar – Kvillsfors Inåtgående

Applicable for product codes:

ES, EN, EC, EU, G1, G2, G6, EK, EF, KS, KN, KC, KU, P1, P2, P6, KK, KF,



- 1. Internal handle Key FK 8 form A fzb (M3 number 0402971)
- 2. safety device BK 805 F1 7mm/43 (M3 number 0402970)
- 3. 2.st screws MFX M5x55 (M3 number 070472)
- 4. Standard espagnolette



| Rev. no. | Description | Apply from | By | Checked |
|--|-------------|-----------------------------|----------|-------------|
| | | | PJ | PJ |
| NorDan Kvillsfors AB www.nordan.se 570 16 Kvillsfors | | Handtagsalt, Nr.6 KT991,994 | | |
| Tel. 0383-76 35 00 Fax. 76 35 35 | | | | |
| Drawn by | Date | Scale | State | Drawing No. |
| PJ | 2019-10-15 | 1:2 | released | 990-45-031 |



Handle components – Kvillsfors Inward opening



Vriderartikler – Kvillsfors Innadslående

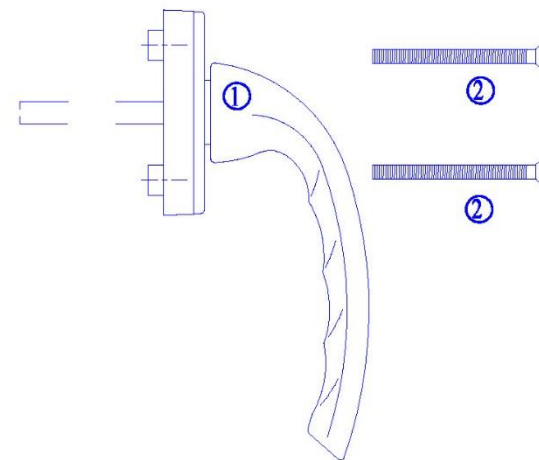
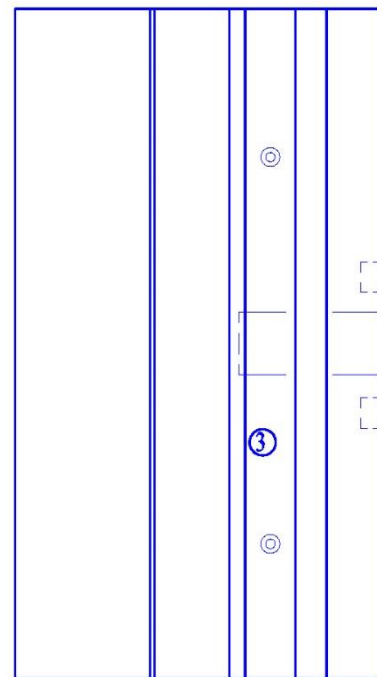
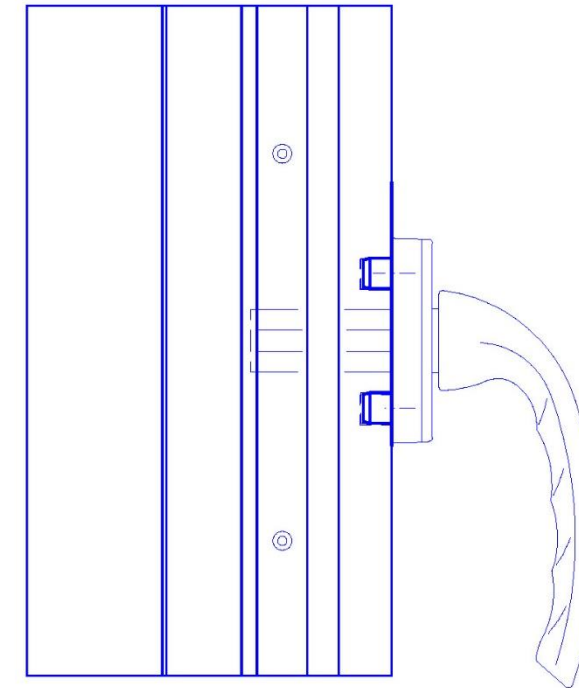
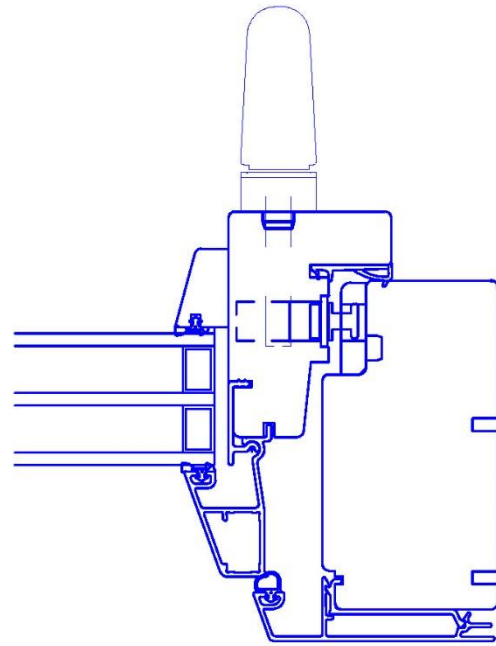


Handtagsartiklar – Kvillsfors Inåtgående



Applicable for product codes:

ES, EN, EC, EU, G1, G2, G6, EK, EF, KS, KN, KC, KU, P1, P2, P6, KK, KF,



- ① Inv. Handt 0710/U26 F1 sprintlängd 43mm 7mm (M3 number 0402540)
- ② Skruv 2st MFX M5x55 (M3 number 070472)
- ③ Standard spanjolett

| Rev. no. | Description | Apply from | By | Checked |
|----------|---|------------------------------|----------|-------------|
| | NorDan NorDan Kvillsfors AB www.nordan.se 570 16 Kvillsfors Tel. 0383-76 35 00 Fax. 76 35 35 | handtagsalt, Nr. 11 KT991 | | |
| Drawn by | Date | Scale | State | Drawing No. |
| PJ | 2015-01-19 | 1:22 | released | 991-45-010 |



Handle components – Kvillsfors Inward opening



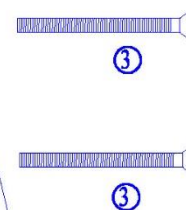
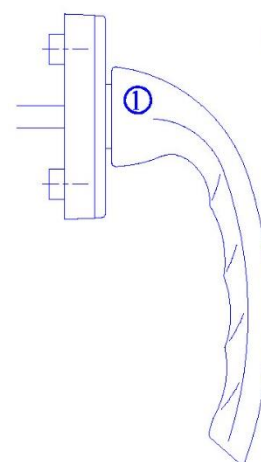
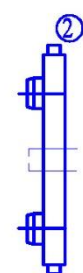
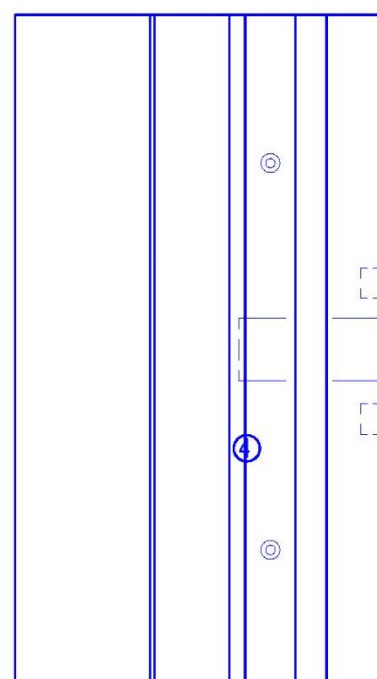
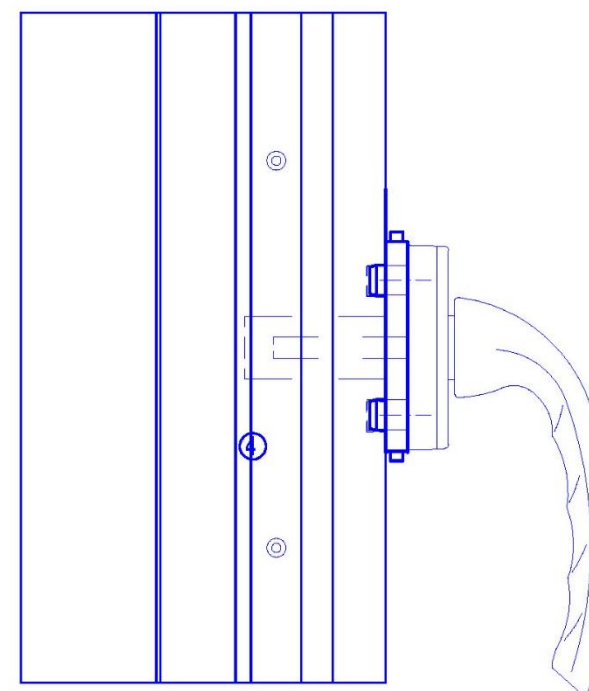
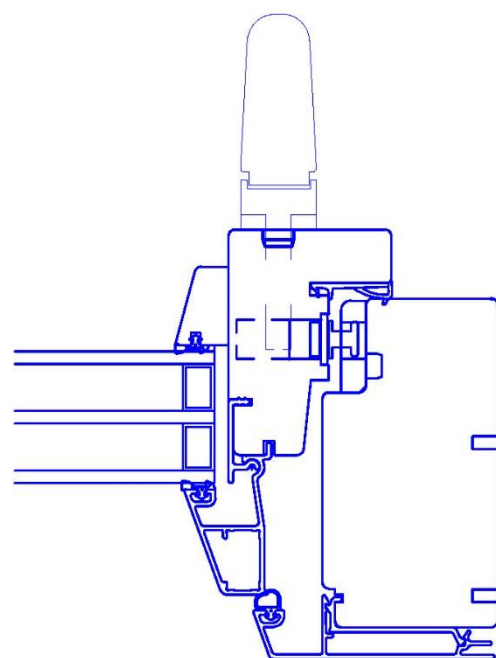
Vriderartikler – Kvillsfors Innadslående



Handtagsartiklar – Kvillsfors Inåtgående

Applicable for product codes:

ES, EN, EC, EU, G1, G2, G6, EK, EF, KS, KN, KC, KU, P1, P2, P6, KK, KF,



- ① Inv. Handt 0710/U26 F1 sprintlängd 43mm 7mm (M3 number 0402540)
- ② Barnspärr Kisi2 F U26 7mm (M3 number 0402544)
- ③ Skruv 2st MFX M5x55 (M3 number 070472)
- ④ Standard spanjolett

| Rev. no. | Description | Apply from | By | Checked |
|----------|---|-----------------------------|----------|-------------|
| | NorDan NorDan Kvillsfors AB www.nordan.se 570 16 Kvillsfors Tel. 0383-76 35 00 Fax. 76 35 35 | handtagsalt, Nr.12 KT991 | | |
| Drawn by | Date | Scale | State | Drawing No. |
| PJ | 2015-01-19 | 09:02 | released | 991-45-011 |



Handle components – Kvillsfors Inward opening



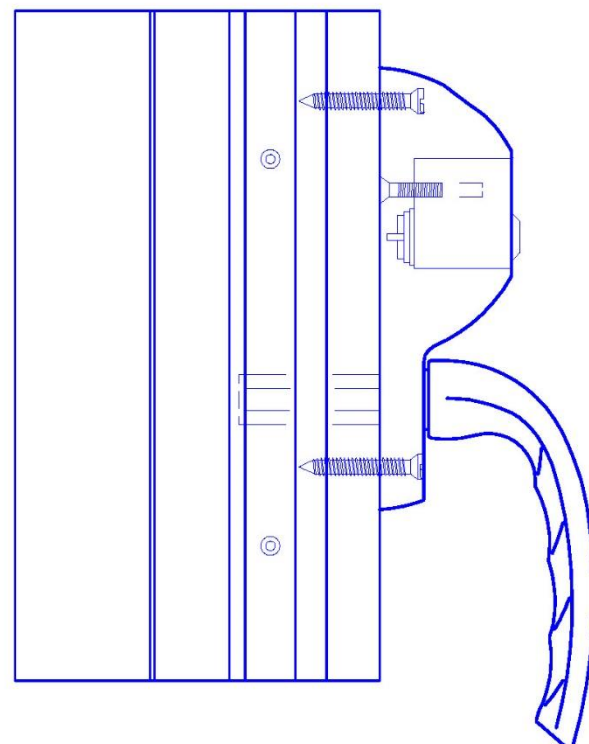
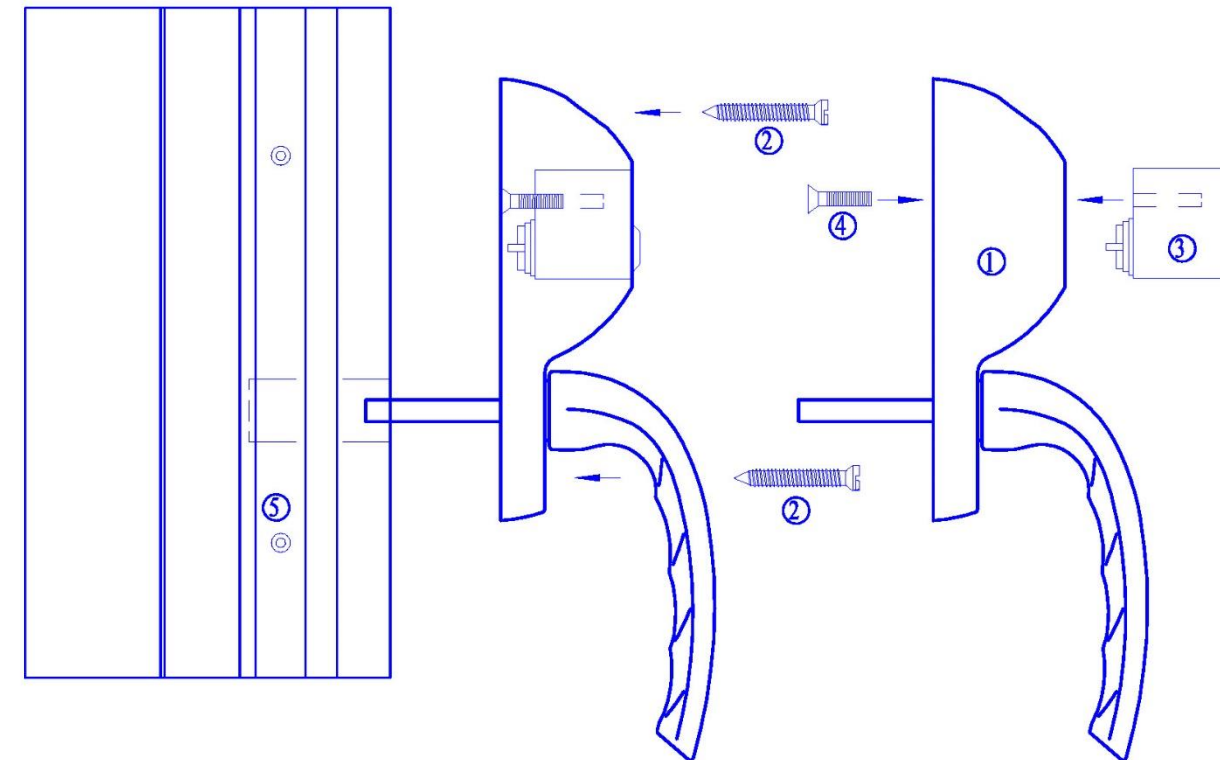
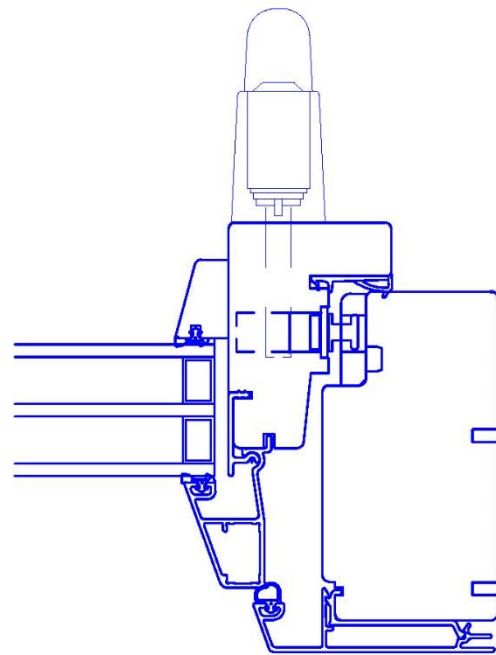
Vriderartikler – Kvillsfors Innadslående



Handtagsartiklar – Kvillsfors Inåtgående

Applicable for product codes:

ES, EN, EC, EU, G1, G2, G6, EK, EF, KS, KN, KC, KU, P1, P2, P6, KK, KF,



1. Inv. Handt 0710R/93S F1 sprintlängd 43mm 7mm (M3nr.0402542)
2. 2 st envägsskruv 4.0*40 ingår
3. Cyl ASSA 701, ingår ej
4. 2 st Skruv M5*20 ingår
5. Standard spanjolett

| NorDan | | | | |
|---|-------------|------------------------------|----------|-------------|
| Rev. no. | Description | Apply from | By | Checked |
| NorDan NorDan Kvillsfors AB www.nordan.se 570 16 Kvillsfors Tel. 0383-76 35 00 Fax. 76 35 35 | | handtagsalt, Nr, 13 KT991 | | |
| Drawn by | Date | Scale | State | Drawing No. |
| PJ | 2015-01-19 | 1:1 | released | 991-45-012 |



Handle components – Kvillsfors Inward opening



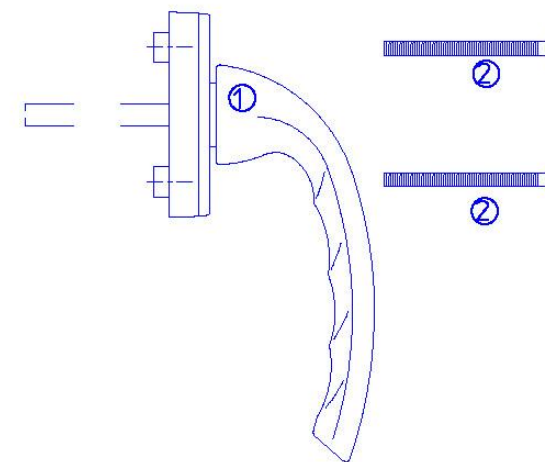
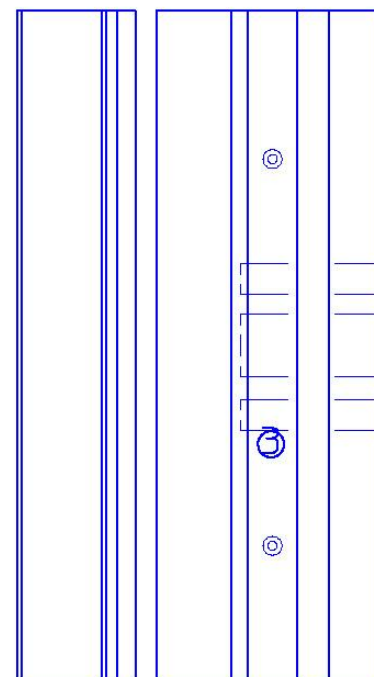
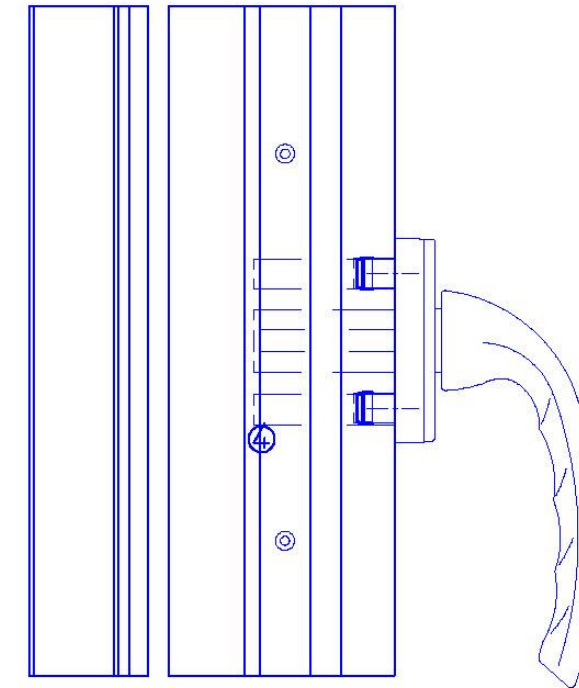
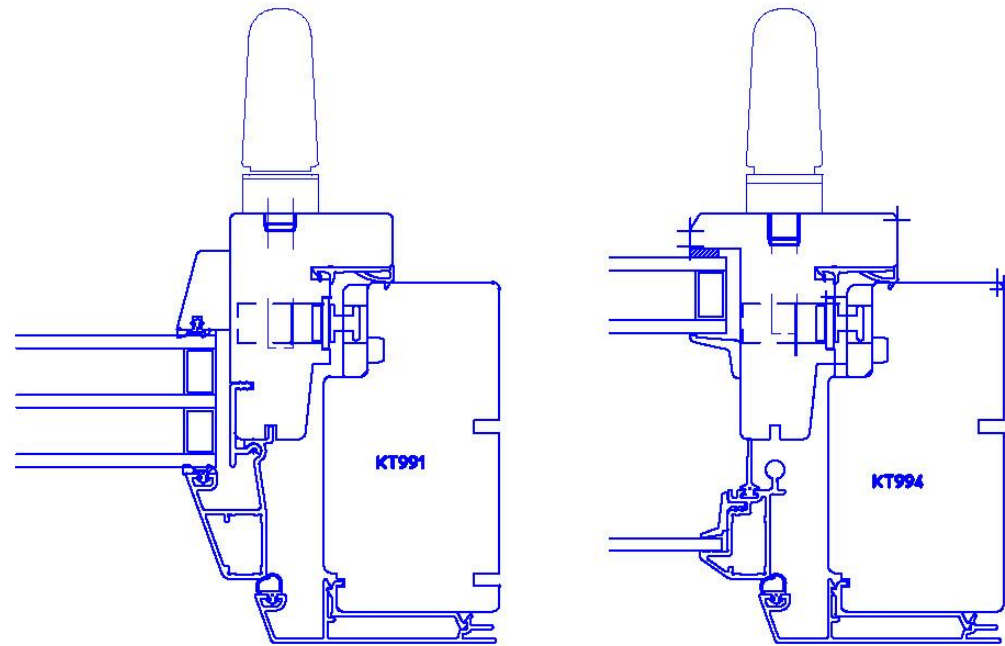
Vriderartikler – Kvillsfors Innadslående



Handtagsartiklar – Kvillsfors Inåtgående

Applicable for product codes:

ES, EN, EC, EU, G1, G2, G6, EK, EF, KS, KN, KC, KU, P1, P2, P6, KK, KF,



- ① Inv. Handt 0710/U26 F1 sprintlängd 43mm 7mm (M3nr. 0402540)
- ② Skruv 2st MFX M5x55 zpl (M3nr. 070472)
- ③ Standard spanjolett

| | | | | |
|---|--------------------------------------|-------------------------------|----------|-------------|
| B | Kt991&994 ihopslagna till en ritning | 2019-12-04 | PJ | PJ |
| Rev. no. | Description | Apply from | By | Checked |
| NorDan Kvillsfors AB 570 16 Kvillsfors Tel. 0383-76 35 00 Fax. 76 35 35 | | Handtagsalt, Nr, 11 KT991,994 | | |
| Drawn by | Date | Scale | State | Drawing No. |
| PJ | 2015-01-19 | 1:2 | released | 994-45-010 |



Handle components – Kvillsfors Inward opening



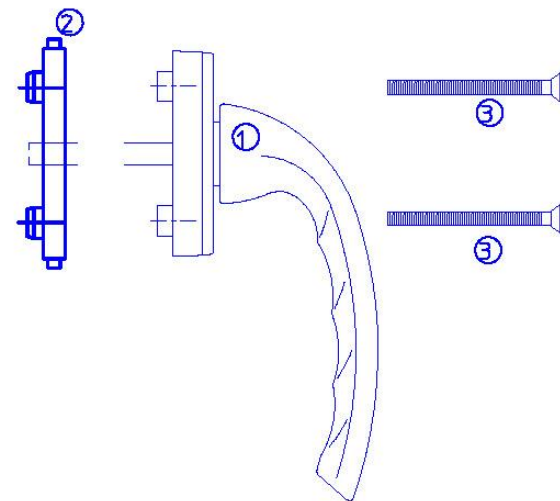
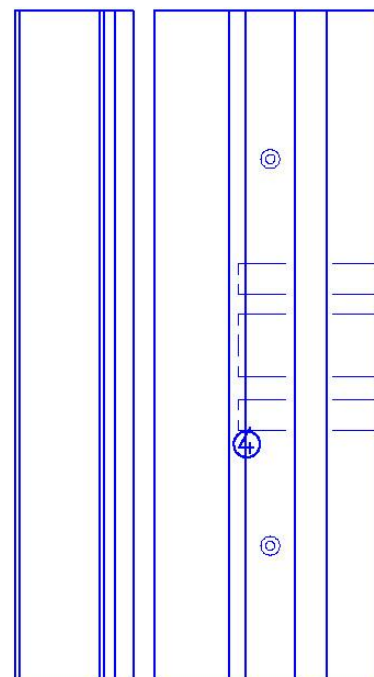
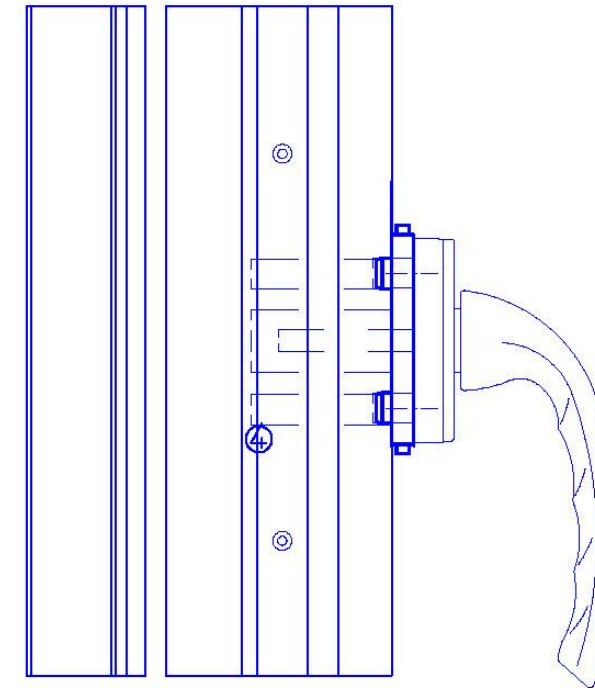
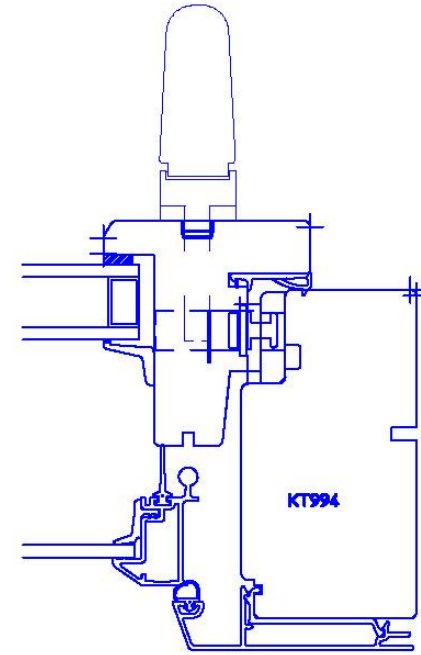
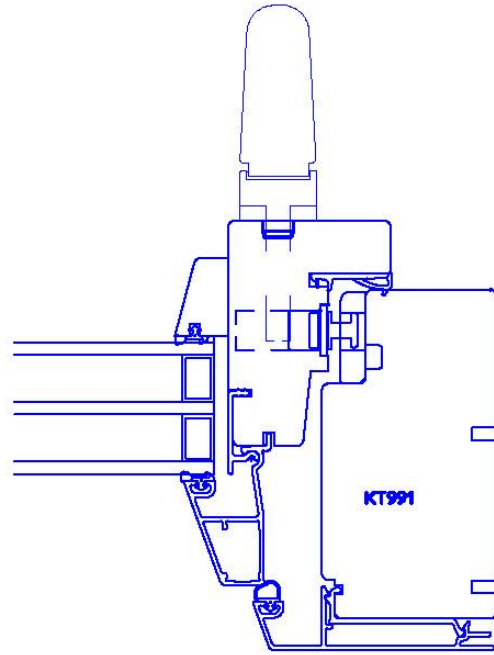
Vriderartikler – Kvillsfors Innadslående



Handtagsartiklar – Kvillsfors Inåtgående

Applicable for product codes:

ES, EN, EC, EU, G1, G2, G6, EK, EF, KS, KN, KC, KU, P1, P2, P6, KK, KF,



- ① Inv. Handt 0710/U26 F1 sprintlängd 43mm 7mm (M3nr.0402540)
- ② Barnspärr Kisi2 F U26 7mm (M3nr. 0402544)
- ③ Skruv 2st MFX M5x55 (M3nr. 070472)
- ④ Standard spanjolett

| | | | | |
|----------|---|------------|-----------|-------------------------------|
| B | K1991,994 ihopslagna till en ritning | 2019-12-04 | PJ | PJ |
| Rev. no. | Description | Apply from | By | Checked |
| | NorDan Kvillsfors AB 570 16 Kvillsfors Tel. 0383-76 35 00 Fax. 76 35 35 | | | Handtagsalt, Nr, 12 KT991,994 |
| Drawn by | Date | Scale | State | Drawing No. |
| PJ | 2015-01-19 09:42 | 1:2 | released | 994-45-011 |



Handle components – Kvillsfors Inward opening



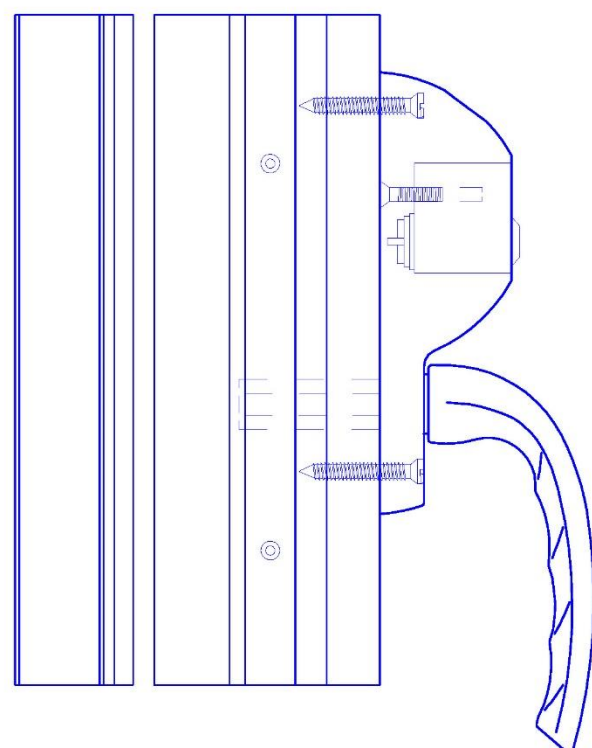
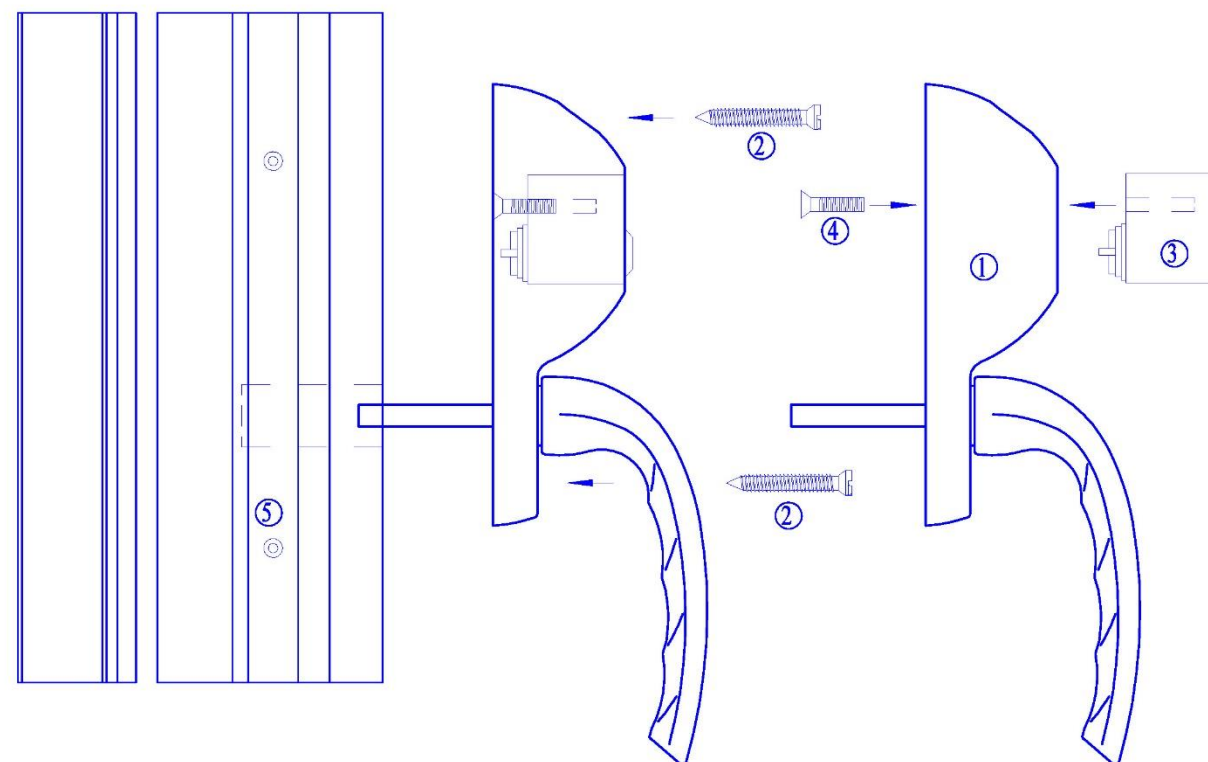
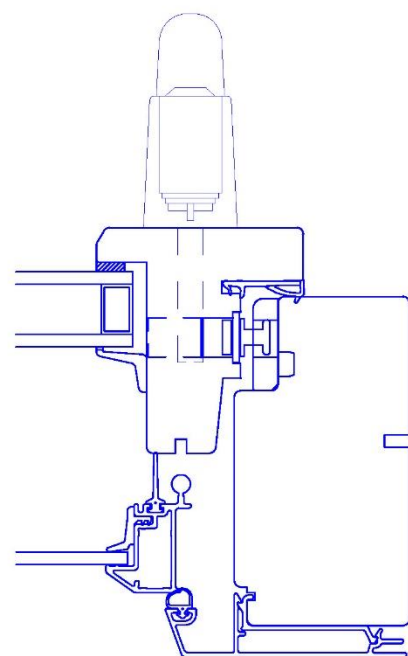
Vriderartikler – Kvillsfors Innadslående



Handtagsartiklar – Kvillsfors Inåtgående

Applicable for product codes:

ES, EN, EC, EU, G1, G2, G6, EK, EF, KS, KN, KC, KU, P1, P2, P6, KK, KF,



- ① Inv. Handt 0710R/93S F1 sprintlängd 43mm 7mm (M3nr.0402542)
- ② 2 st envägsskruv 4.0*40 ingår
- ③ Cyl ASSA 701, ingår ej
- ④ 2 st Skruv M5*20 ingår
- ⑤ Standard spanjolett

| | | | | |
|--|----------------------|------------------------------|----------|-------------|
| A | M3 nummer tillkommit | 2019-09-23 | PJ | PJ |
| Rev. no. | Description | Apply from | By | Checked |
| NorDan Kvillsfors AB www.nordan.se 570 16 Kvillsfors Tel. 0383-76 35 00 Fax. 76 35 35 | | handtagsalt, Nr, 13 KT994 | | |
| Drawn by | Date | Scale | State | Drawing No. |
| PJ | 2015-01-19 | 1:52 | released | 994-45-012 |



Handle components – Kvillsfors Inward opening



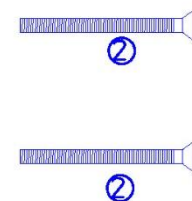
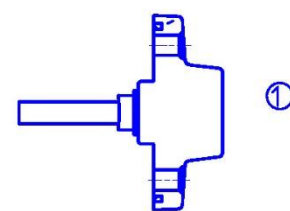
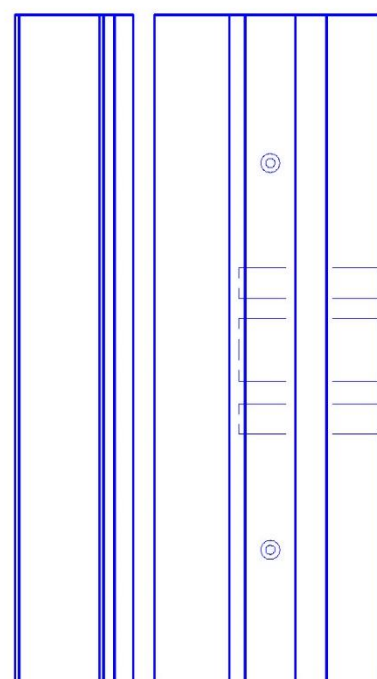
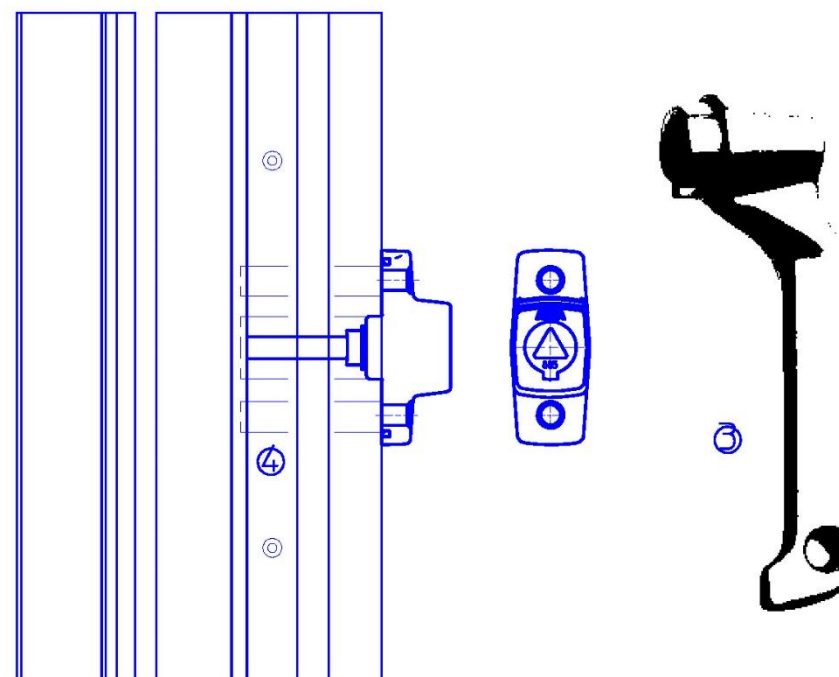
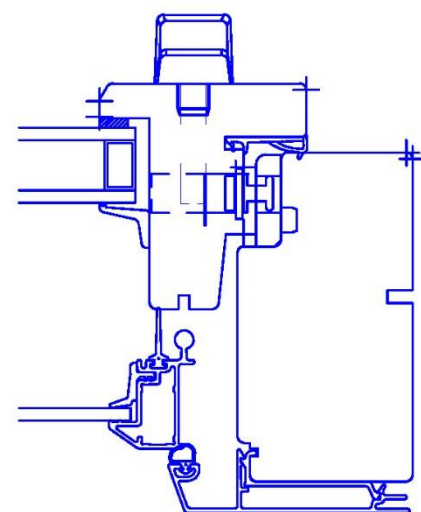
Vriderartikler – Kvillsfors Innadslående



Handtagsartiklar – Kvillsfors Inåtgående

Applicable for product codes:

ES, EN, EC, EU, G1, G2, G6, EK, EF, KS, KN, KC, KU, P1, P2, P6, KK, KF,



- ① Inv. SäkerhetsHandt ASSA 805 sprintlängd 43mm 7mm (M3nr. 0400938)
- ② Skruv 2st MFX M5x55 zpl (M3nr. 070472)
- ③ Löst handtag ASSA 811 (M3 nr.0401062)
- ④ Standard spanjolett

| | | | | |
|----------|---|--------------------|----------|-------------|
| | | | PJ | PJ |
| Rev. no. | Description | Apply from | By | Checked |
| | NorDan Kvillsfors AB 570 16 Kvillsfors Tel. 0383-76 35 00 | Bordan.se 35 35 | | |
| Drawn by | Date | Scale | State | Drawing No. |
| PJ | 2019-10-02 | 1:2 | released | 994-45-017 |

Skerhetsanordning ASSA 805
KT991,994



Handle components – Kvillsfors Inward opening



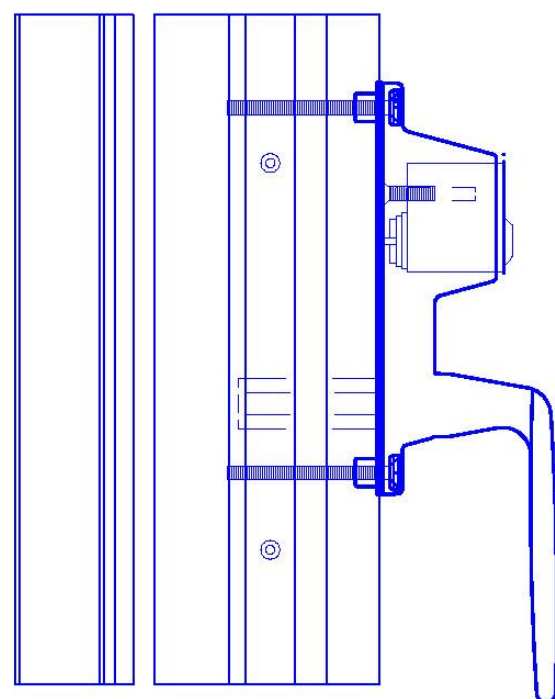
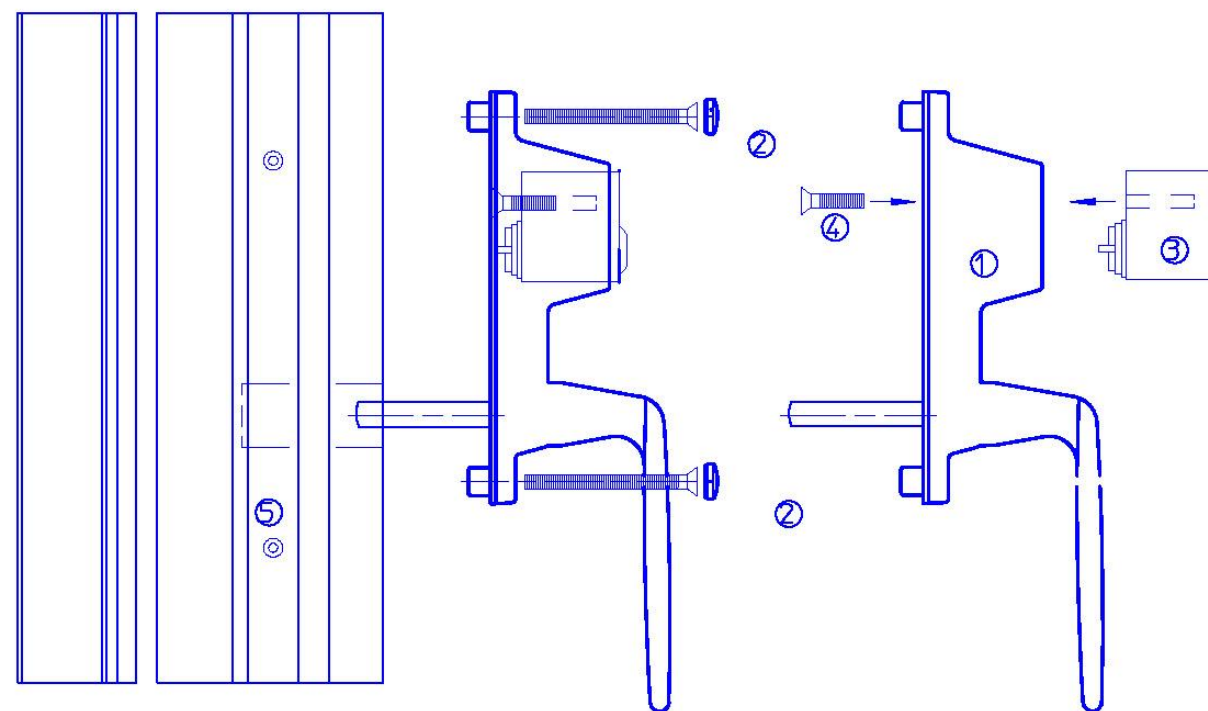
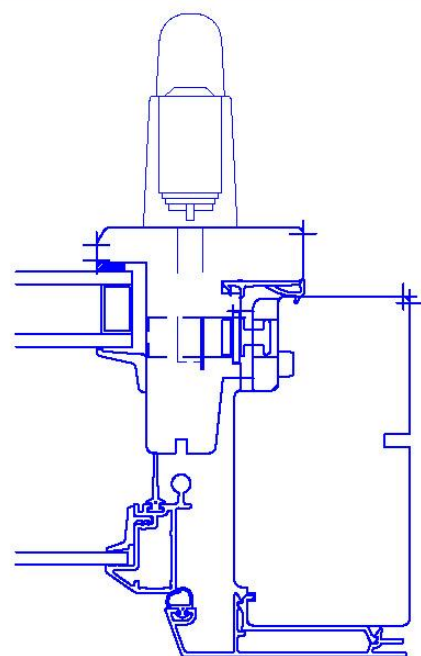
Vriderartikler – Kvillsfors Innadslående



Handtagsartiklar – Kvillsfors Inåtgående

Applicable for product codes:

ES, EN, EC, EU, G1, G2, G6, EK, EF, KS, KN, KC, KU, P1, P2, P6, KK, KF,



- ① Inv. Handt ASSA 835S w/microbrytare sprintlängd 43mm/ 7mm (M3nr.0402521)
- ② 2 st MFX M5x50 (M3 nr.070472) ingår
- ③ Cyl ASSA 701, ingår ej
- ④ 2 st Skruv M5*20 ingår
- ⑤ Standard spanjolett

| | | | | |
|---|-------------|---|----------|-------------|
| Rev. no. | Description | Apply from | PJ | PJ |
| | | | By | Checked |
| NorDan Kvillsfors AB 570 16 Kvillsfors Tel. 0383-76 35 00 Fax. 76 35 35 | | Säkerhetshandtag ASSA 835s KT991,994 | | |
| Drawn by | Date | Scale | State | Drawing No. |
| PJ | 2019-10-021 | 1:2 | released | 994-45-018 |