



Applicable for:
4S, 4P, SD, 2P

Produced in Egersund factory: Version 3 and delivered from week 51, 2021.

Product codes: SD and 4S

Produced in Powodowo factory: Version 3 and delivered from week 34, 2022.

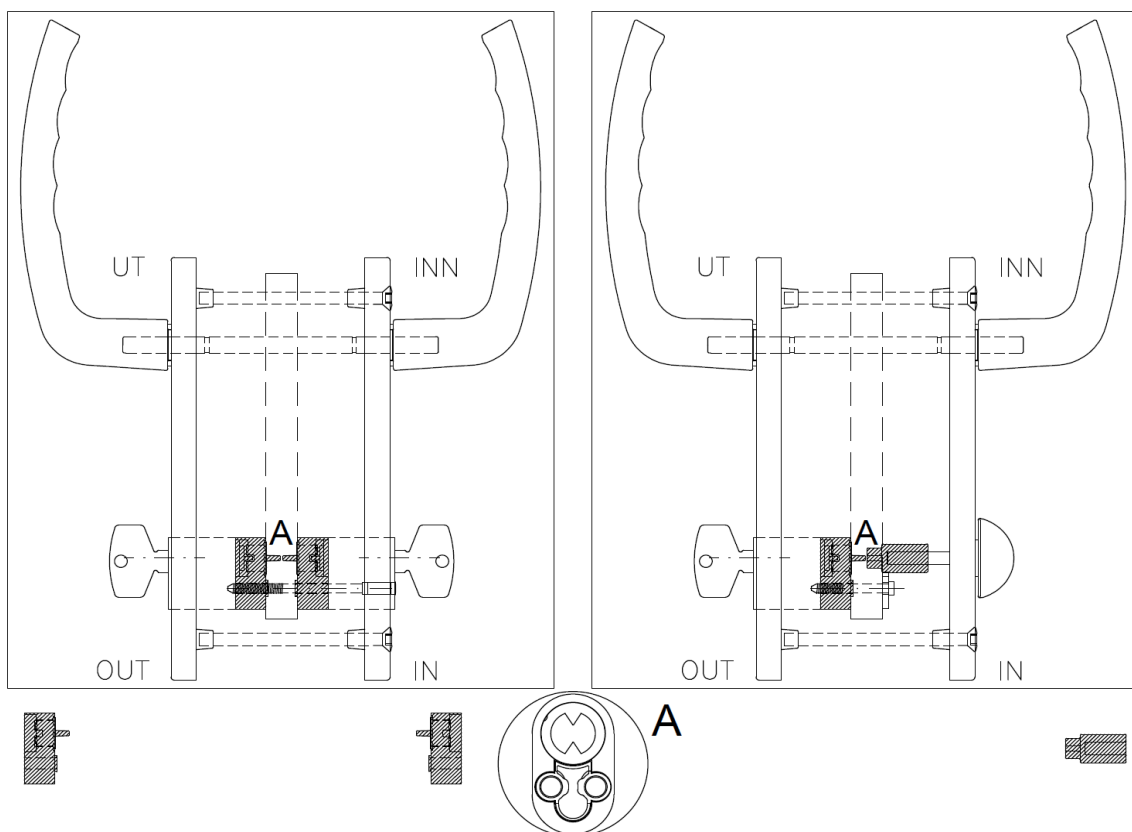
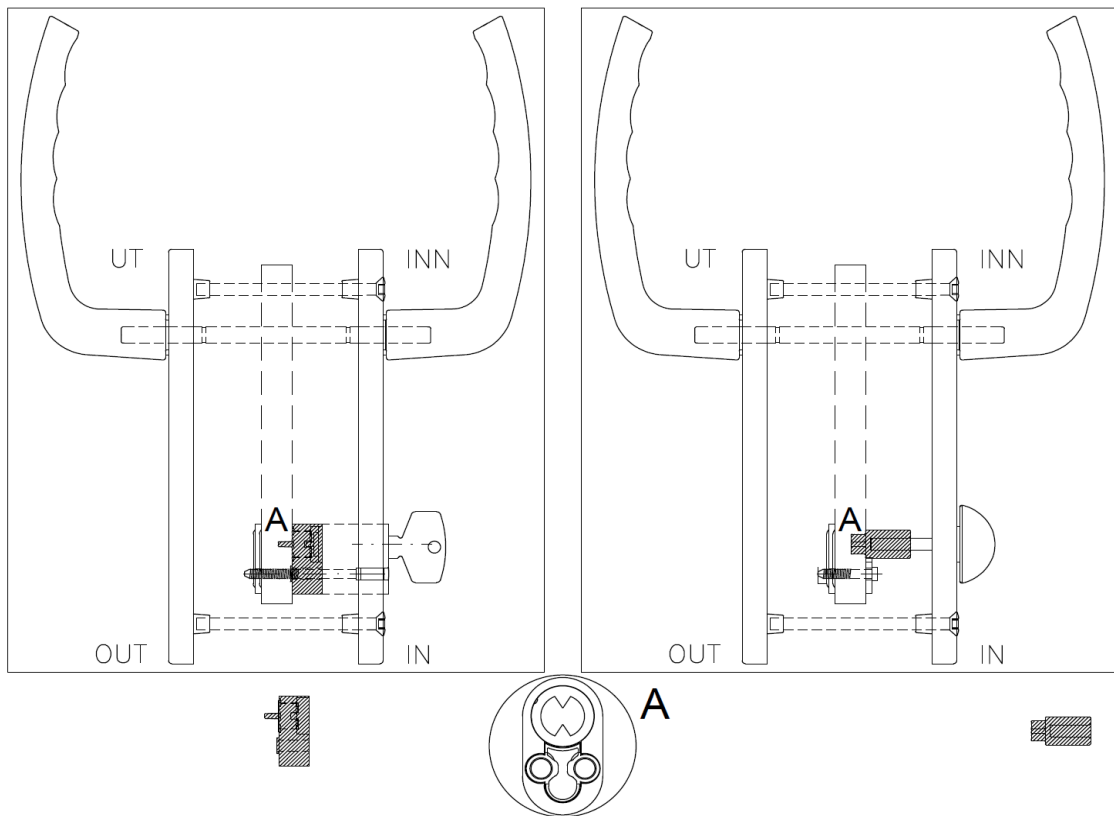
Product codes: 2P and 4P.

Cylinder and screws	
Pictures	Name and Art. No.
	Drillplate SD 0404757
	Stop disc Security Chip Oval Cylinder 0404158
	Adapter for Oval cylinder, 14,5mm (1 pr. cylinder) 0403267
	Rococo Cylinder 1257 0404113
	Oval Cylinder 1237 sec 0404114
	Thumbturn cylinder 5549/32 0404155
	Double cylinder 1257C sec 0404284
	9 Cyl bld. 5557b ROKOKKO MCrom 0404285
	Cylinderscrew M5 x 45 FZB TX 2 070620
	Cylinderscrew M5 x 55 TX20 FZB 070618
	Cylinderscrew M5 x 70 TX20 FZB 070619
	TT Adapter 0404276



Applicable for:
4S, 4P, 5D, 2P

Standard fitting / quantity of extensions





Applicable for:
 4S, 4P, 5D, 2P

External handle without hole for cylinder		
Silver 0404781	White 0404782	Black 0404783
		
External handle with hole for oval cylinder		
Silver 0404784	White 0404785	Black 0404786
		
External cover plate		
Silver 0401373	White 0403431	Black 0403381
		
External pull handle		
Silver 0404107	White 0404108	Black 0404109
		



Applicable for:
4S, 4P, 5D, 2P

Internal handle with thumbturn		
Silver 0404775	White 0404776	Black 0404777
		
Internal handle with hole for Rococo cylinder		
Silver 0404778	White 0404779	Black 0404780
		
Internal handle without hole for cylinder		
Silver 0404806	White 0404807	Black 0404808
		



Applicable for:
4S, 4P, 5D, 2P

Handle packets:

VLD code	New description
VLD472	Handle int. thumbturn / ext. cylinder
VLD475	Handle int. thumbturn / ext. for cylinder
VLD441 - Standard	Handle int. thumbturn / ext. without hole for cylinder
VLD448	Handle int. thumbturn / ext. pull handle
VLD458	Handle int. thumbturn / ext. cover plate
VLD442	Handle int. thumbturn cylinder / ext. cylinder
VLD456	Handle int. thumbturn cylinder / ext. for cylinder
VLD457	Handle int. thumbturn cylinder / ext. without hole for cylinder
VLD447	Handle int. thumbturn cylinder / ext. pull handle
VLD443	Handle int. thumbturn cylinder / ext. cover plate
VLD474	Handle int. cylinder / ext. cylinder
VLD477	Handle int. for cylinder / ext. for cylinder
VLD476	Handle int. for cylinder / ext. without hole for cylinder
VLD473	Handle int. cylinder / ext. without hole for cylinder
VLD449	Handle int. cylinder / ext. pull handle
VLD459	Handle int. cylinder / ext. cover plate

Extra security	
VLD645	To create handle security pack

Cylinder packets:

Art. no.	Cylinder packets
0404546	Internal Rococo cylinder
0404547	External Oval cylinder
0404548	Double cylinder
0404549	Internal thumbturn cylinder
0404550	External Oval cylinder and internal thumbturn cylinder
0404551	Internal blind cylinder

Applicable for:
4S, 4P, 5D, 2P

The handles in the packets:

Handle packets						
VLD code	Color	Packet art. no.	External handle	External handle art. no.	Internal handle	Internal handle art. no.
Standard VLD441	Silver	0404145	Without hole for cylinder	0404082	With thumbturn	0404085
	White	0404112		0404088		0404091
	Black	0404130		0404094		0404097
With cylinder VLD473	Silver	0404146	Without hole for cylinder	0404082	With Rococo cylinder	0404084
	White	0404118		0404088		0404090
	Black	0404131		0404094		0404096
Without cylinder VLD476	Silver	0404178	Without hole for cylinder	0404082	For Rococo cylinder	0404084
	White	0404179		0404088		0404090
	Black	0404180		0404094		0404096
With cylinder VLD472	Silver	0404148	With Oval cylinder	0404081	With thumbturn	0404085
	White	0404123		0404087		0404091
	Black	0404133		0404093		0404097
With cylinder VLD474	Silver	0404149	With Oval cylinder	0404081	With Rococo cylinder	0404084
	White	0404124		0404087		0404090
	Black	0404134		0404093		0404096
Without cylinder VLD477	Silver	0404184	For Oval cylinder	0404081	For Rococo cylinder	0404084
	White	0404185		0404087		0404090
	Black	0404186		0404093		0404096
With cylinder int. Without cylinder ext. VLD456	Silver	0404159	For Oval cylinder	0404081	With thumbturn cylinder	0404084
	White	0404160		0404087		0404090
	Black	0404161		0404093		0404096
With cylinder VLD457	Silver	0404292	Without hole for cylinder	0404082	With thumbturn cylinder	0404084
	White	0404293		0404088		0404090
	Black	0404294		0404094		0404096
With cylinder VLD442	Silver	0404527	With Oval cylinder	0404081	With thumbturn cylinder	0404084
	White	0404528		0404087		0404090
	Black	0404529		0404093		0404096
Without cylinder VLD475	Silver	0404181	For Oval cylinder	0404081	With thumbturn	0404085
	White	0404182		0404087		0404091
	Black	0404183		0404093		0404097
Without cylinder VLD458	Silver	0404152	Cover plate	0401373	With thumbturn	0404085
	White	0404127		0403431		0404091
	Black	0404137		0403381		0404097
With cylinder VLD459	Silver	0404153	Cover plate	0401373	With Rococo cylinder	0404084
	White	0404128		0403431		0404090
	Black	0404138		0403381		0404096
With cylinder VLD443	Silver	0404530	Cover plate	0401373	With thumbturn cylinder	0404084
	White	0404531		0403431		0404090
	Black	0404532		0403381		0404096
With cylinder VLD447	Silver	0404355	Pull handle	0404107	With thumbturn cylinder	0404084
	White	0404356		0404108		0404090
	Black	0404357		0404109		0404096
Without cylinder VLD448	Silver	0404325	Pull handle	0404107	With thumbturn	0404085
	White	0404326		0404108		0404091
	Black	0404327		0404109		0404097
With cylinder VLD449	Silver	0404328	Pull handle	0404107	With Rococo cylinder	0404084
	White	0404329		0404108		0404090
	Black	0404330		0404109		0404096

Handle components - ND NTech Patio door, product version 3

Market:





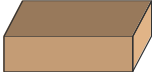
NorDan[®]

Document ID: 0006AA(10.00)

Date: 20 August 2025

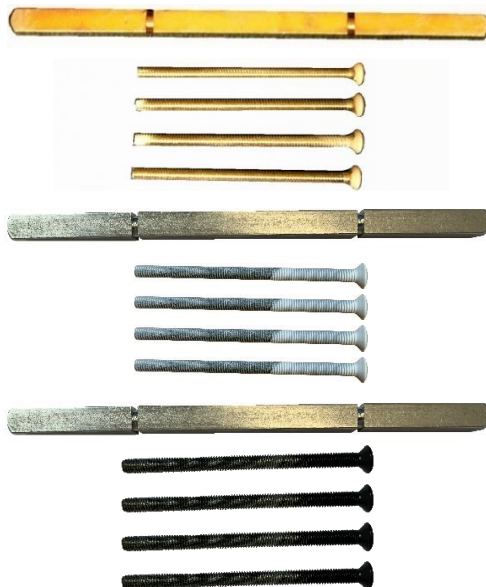
Page: 7 of 9

Applicable for:
4S, 4P, 5D, 2P

<p>Steel plate</p> <p>VLD645</p>		<p>0404080</p>
<p>Box for handle pack with the installation instructions label</p>		<p>Box Art. No.: 200306 Size 270 x 142 x 37 mm With Art. No.: 202509 or 202510 Label int.th./ int.cyl.th or Label dbl./ out.cyl.</p>
<p>Box for cylinder set</p>		<p>Art. No.: 202460 Size 52 x 32 x 105 mm</p>

Applicable for:
 4S, 4P, SD, 2P

Spindles and screws	
Standard:	
0401575	Sq.pin 8x150/M6x95mm4pcs, SL
0403720	Sq.pin 8x150/M6x95mm4pcs, WL
0403385	Sq.pin 8x150/M6x95mm4pcs, BL
External cover plate or pull handle only:	
0404102	Sq.pin 8x120/M6x95mm4pcs, SL
0404103	Sq.pin 8x120/M6x95mm4pcs, WL
0404104	Sq.pin 8x120/M6x95mm4pcs, BL



Applicable for:
 4S, 4P, SD, 2P

Product owner: Kai Erik Eike																																										
Rev	Description		Date																																							
1	Created the document	IRK	30.11.2021																																							
2	Updated with pull handle articles and packets.	IRK	27.06.2022																																							
3	Updated with Handle pack for VLD447.	IRK	15.08.2022																																							
4	Updated the VLD codes and handles.	IRK	28.11.2022																																							
5	Cylinder packet arti. no. Added.	IRK	01.02.2023																																							
6	New Drillplate article 0404757 for Patio door	KEE/air	20.02.2024																																							
7	New article nr 0404806, 0404807, 0404808 SD internal handle without hole for cylinder.	KEE/air	02.06.2025																																							
	<table border="1"> <thead> <tr> <th>New article</th> <th>Benevnelse</th> <th>Replace article</th> </tr> </thead> <tbody> <tr> <td>0404775</td> <td>SD Int. handle w/thumbturn S</td> <td>0404085</td> </tr> <tr> <td>0404776</td> <td>SD Int. handle w/thumbturn W</td> <td>0404091</td> </tr> <tr> <td>0404777</td> <td>SD Int. handle w/thumbturn B</td> <td>0404097</td> </tr> <tr> <td>0404778</td> <td>SD Int.han. w/hole for R.cyl S</td> <td>0404084</td> </tr> <tr> <td>0404779</td> <td>SD Int.han. w/hole for R.cyl W</td> <td>0404090</td> </tr> <tr> <td>0404780</td> <td>SD Int.han. w/hole for R.cyl B</td> <td>0404096</td> </tr> <tr> <td>0404781</td> <td>SD Ext.han. w/o hole for cyl S</td> <td>0404082</td> </tr> <tr> <td>0404782</td> <td>SD Ext.han. w/o hole for cyl W</td> <td>0404088</td> </tr> <tr> <td>0404783</td> <td>SD Ext.han. w/o hole for cyl B</td> <td>0404094</td> </tr> <tr> <td>0404784</td> <td>SD Ext.han. w/hole oval cyl S</td> <td>0404081</td> </tr> <tr> <td>0404785</td> <td>SD Ext.han. w/hole oval cyl W</td> <td>0404087</td> </tr> <tr> <td>0404786</td> <td>SD Ext.han. w/hole oval cyl B</td> <td>0404093</td> </tr> </tbody> </table>	New article	Benevnelse	Replace article	0404775	SD Int. handle w/thumbturn S	0404085	0404776	SD Int. handle w/thumbturn W	0404091	0404777	SD Int. handle w/thumbturn B	0404097	0404778	SD Int.han. w/hole for R.cyl S	0404084	0404779	SD Int.han. w/hole for R.cyl W	0404090	0404780	SD Int.han. w/hole for R.cyl B	0404096	0404781	SD Ext.han. w/o hole for cyl S	0404082	0404782	SD Ext.han. w/o hole for cyl W	0404088	0404783	SD Ext.han. w/o hole for cyl B	0404094	0404784	SD Ext.han. w/hole oval cyl S	0404081	0404785	SD Ext.han. w/hole oval cyl W	0404087	0404786	SD Ext.han. w/hole oval cyl B	0404093		
New article	Benevnelse	Replace article																																								
0404775	SD Int. handle w/thumbturn S	0404085																																								
0404776	SD Int. handle w/thumbturn W	0404091																																								
0404777	SD Int. handle w/thumbturn B	0404097																																								
0404778	SD Int.han. w/hole for R.cyl S	0404084																																								
0404779	SD Int.han. w/hole for R.cyl W	0404090																																								
0404780	SD Int.han. w/hole for R.cyl B	0404096																																								
0404781	SD Ext.han. w/o hole for cyl S	0404082																																								
0404782	SD Ext.han. w/o hole for cyl W	0404088																																								
0404783	SD Ext.han. w/o hole for cyl B	0404094																																								
0404784	SD Ext.han. w/hole oval cyl S	0404081																																								
0404785	SD Ext.han. w/hole oval cyl W	0404087																																								
0404786	SD Ext.han. w/hole oval cyl B	0404093																																								
8	Wrong article number for 0404793, correct article number is 0404783	KEE/air	23.06.25																																							